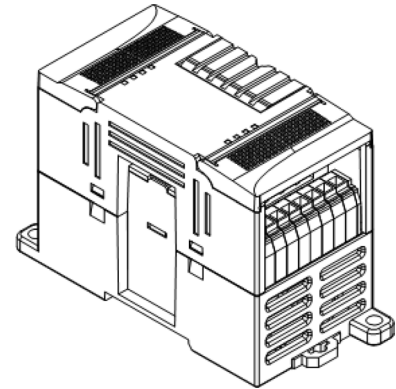


KNC-PLC-K631 - Expansion Modules



FEATURES

- **Resistance Temperature Detector Module Offered**
- **Current and Voltage Input Module Offered**
- **Provides Wide Input Range**
- **Up to 14 Analog Input Modules in One PLC-K6 System**
- **12-bit Conversion for High-Resolution Measurement**
- **Very Reliable $\pm 0.3\%$ Error**



DESCRIPTION

The KNC-PLC-K631 Analog Input Expansion Modules are offered for current and voltage inputs or Resistance Temperature Detector (RTD) sensor inputs. The KNC-PLC-K631-04RD is an RTD module that accepts the following sensor types: Pt100, Pt1000, Cu50, and Cu100. The KNC-PLC-K631-04IV performs a 12-bit conversion on the inputs for high-resolution measurement and can be configured to read voltages or currents of different ranges. The KNC-PLC-K631-04IV can accept a current range 0-20 mA or 4-20 mA, and a voltage range of 1-5 VDC or 0-10 VDC. The KNC-PLC-K631 series has an accuracy of $\pm 0.3\%$ ensuring a precise reading. These modules are attached to the KNC-PLC-K6 CPU series to provide analog input capabilities. Up to 6 of the analog input modules can be attached to the KNC-PLC-K6 CPUs, allowing for a maximum of 24 analog inputs or 28 analog inputs if using the KNC-PLC-K606EA-30AT.

SPECIFICATIONS

Parameter	KNC-PLC-K631-04IV	KNC-PLC-K631-04RD	KNC-PLC-K631-04TC
Input Points	4	4	4
Input Signal	Current or Voltage	Pt100, Cu50, Pt1000, Cu100 are Selectable, 2-Wire or 3-Wire	J type, K type, E type, S type, internal/external compensation selectable
Measurement Accuracy	$\pm 0.3\%$ F.S.	$\pm 0.3^\circ\text{C}$, Resolution 0.1 $^\circ\text{C}$	0.1% F.S.
Measurement Range	4-20 mA, 0-20 mA, 1-5 VDC, 0-10 VDC	Pt100: -200~850 $^\circ\text{C}$, Cu50: -50~150 $^\circ\text{C}$, Pt1000: -50~300 $^\circ\text{C}$	J type: -210~1200 $^\circ\text{C}$, K type: -270~1300 $^\circ\text{C}$, E type: -270~1000 $^\circ\text{C}$, S type: -50~1600 $^\circ\text{C}$
Parameter Configuration	Each Channel Can be Configured Separately by Kincobuilder Software		
Signal Limitation	Input Current < 24 mA Input Voltage < 12 VDC	----	----
Error Indication	Red LED for Each Channel Indicates Excessive Measurement Range		
Module Width	50 mm		

L011976

KNC-PLC-K631 - Expansion Modules

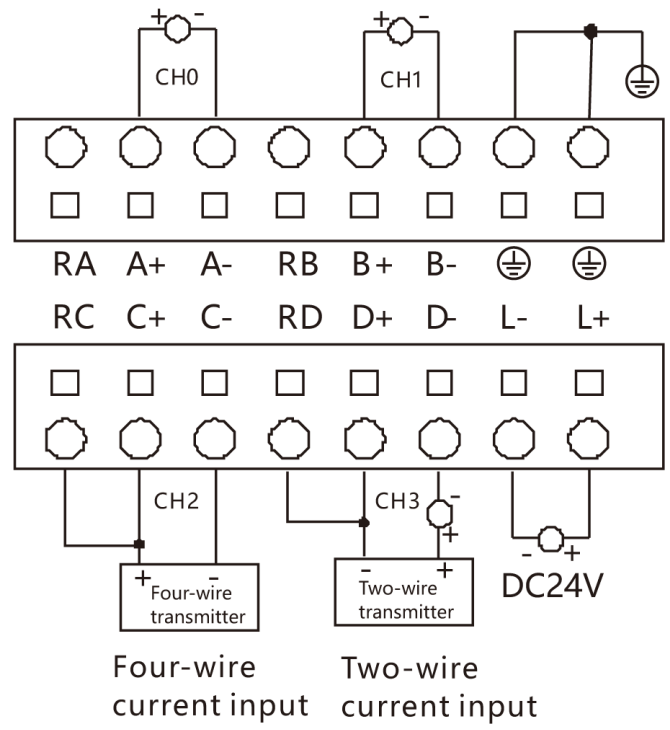


EXPANSION



WIRING DIAGRAMS

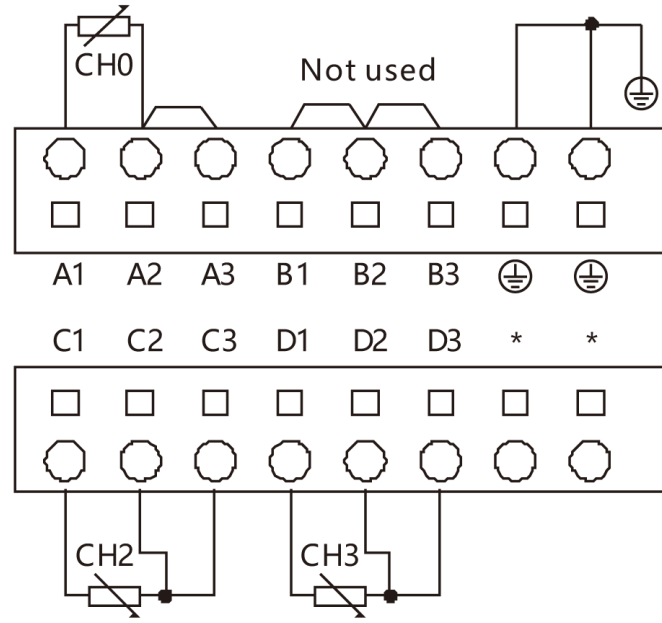
KNC-PLC-K631-04IV
Voltage input



L011976

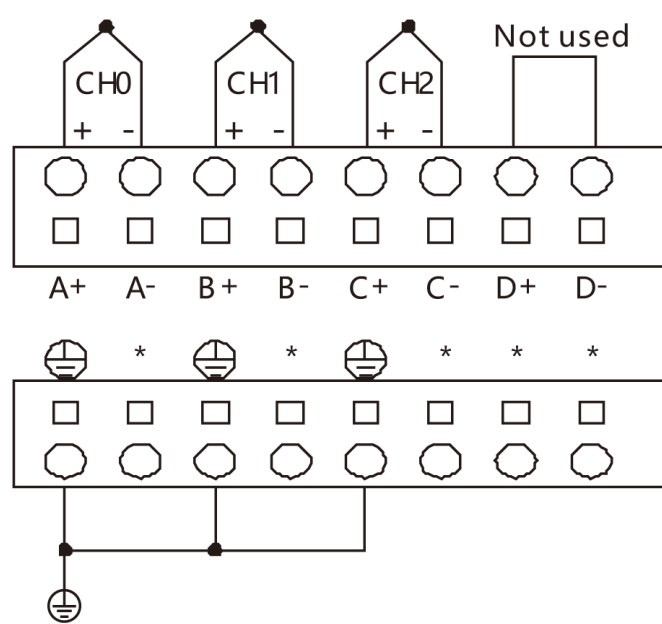
KNC-PLC-K631-04RD

Two-wire heating resistor



Three-wire heating resistor

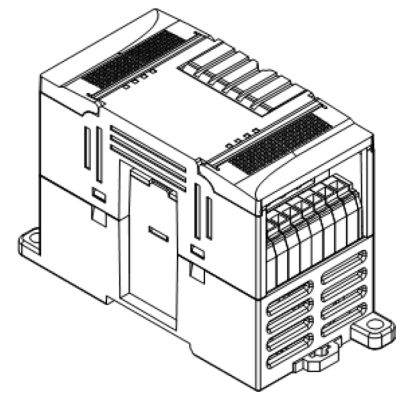
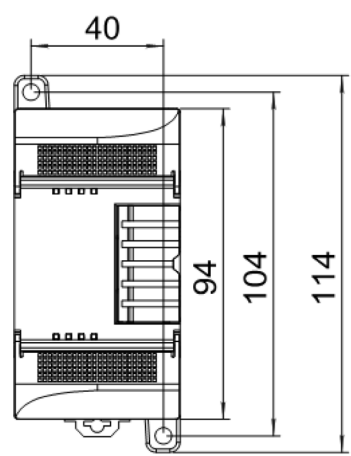
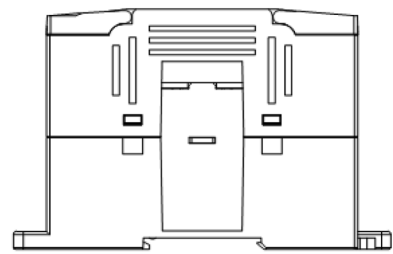
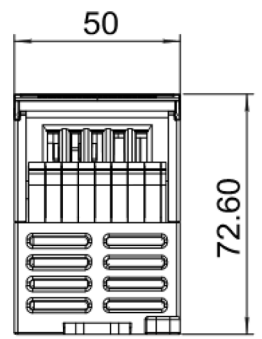
KNC-PLC-K631-04TC



KNC-PLC-K631 - Expansion Modules



DIMENSIONS



Units are in mm

L011976